

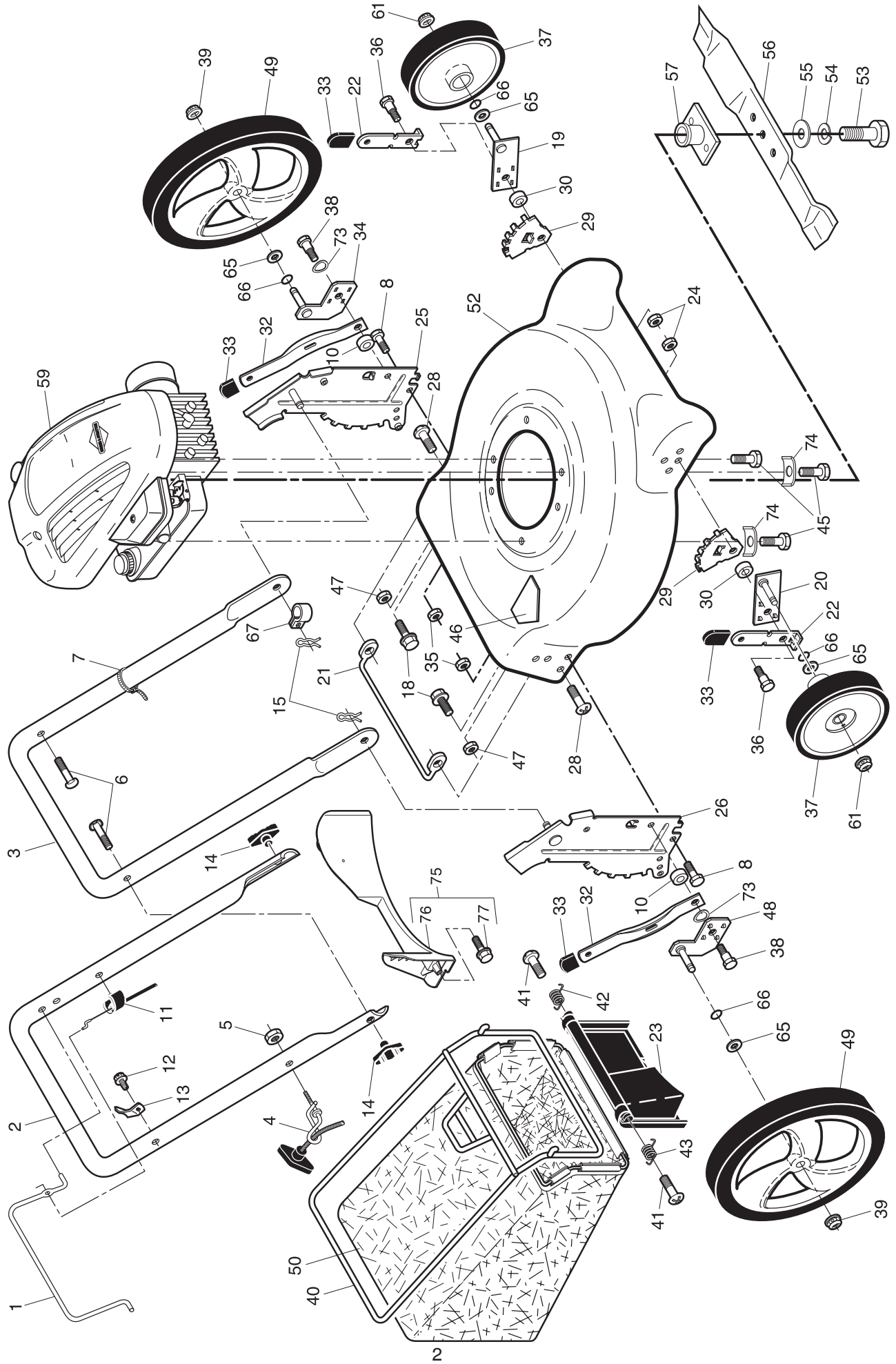
**ILLUSTRATED PARTS LIST**

**MODEL NUMBER P4553CMH**

**PRODUCT NUMBER 961 31 00-17**

**MFG. ID. NUMBER 96131001702**

ROTARY LAWN MOWER -- MODEL NUMBER P4553CMH (96131001702) PRODUCT NUMBER 961 31 00-17



**ROTARY LAWN MOWER - - MODEL NUMBER P4553CMH (96131001702) PRODUCT NUMBER 961 31 00-17**

KEY NO.	PART NO.	DESCRIPTION	KEY NO.	PART NO.	DESCRIPTION
1	532 19 55-74	Control Bar	40	532 40 18-08	Frame, Grassbag
2	532 19 55-47	Upper Handle	41	532 18 41-93	Bolt
3	532 17 42-91	Lower Handle	42	532 40 54-21	Spring, Rear Door, LH
4	532 19 47-88	Rope Guide	43	532 40 54-23	Spring, Rear Door, RH
5	532 13 20-04	Locknut, Hex 1/4-20	45	532 15 04-06	Hex Head Thread Rolling Screw 3/8-16 x 1
6	532 19 15-74	Handle Bolt	46	532 18 21-66	Danger Decal
7	532 06 64-26	Wire Tie	47	532 75 11-53	Nut, Hex
8	874 78 05-12	Hex Bolt 5/16-18 x 3/4	48	532 41 06-01	Axle Arm Assembly, Rear, RH
10	532 40 16-29	Spacer	49	532 40 35-09	Wheel & Tire Assembly, Rear 12 x 1-3/4
11	532 17 65-56	Engine Zone Control Cable	50	532 40 20-24	Grassbag
12	532 75 06-34	Hex Washer Head Screw #10-24 x 1/2	52	<b>532 41 39-00</b>	Kit, Lawn Mower Housing Assembly (Includes Key Numbers 17, 18 and 46)
13	532 12 52-03	Up-Stop Bracket	53	532 85 10-84	Hex Head Screw 3/8-24 x 1-3/8 Grade 8
14	532 19 19-38	Handle Knob	54	532 85 02-63	Helical Lockwasher
15	532 05 17-93	Hairpin Cotter	55	532 85 10-74	Hardened Washer
18	817 60 04-06	Screw 1/4-20 x 3/8	56	532 19 93-77	21" Blade
19	532 40 66-89	Axle Arm Assembly, Front, LH	57	532 19 38-25	Blade Adapter
20	532 40 66-90	Axle Arm Assembly, Front, RH	59	- - -	Engine, Briggs & Stratton, Model Number 10G902 (Order parts from engine manufacturer)
21	532 41 35-43	Footguard	61	532 40 91-48	Nut, Hex, Flangelock
22	532 40 64-28	Selector Spring, Front	65	532 08 83-48	Washer, Flat
23	532 41 06-03	Rear Door	66	532 19 74-80	O-Ring
24	532 16 67-85	Locknut, Hex 5/16-18	67	532 19 79-91	Clip, Cable
25	<b>532 41 39-60</b>	Handle Bracket Assembly, LH	73	532 40 16-30	Washer Curved
26	<b>532 41 39-62</b>	Handle Bracket Assembly, RH	74	532 12 50-78	Washer Engine
28	532 05 45-83	Screw	75	<b>532 41 36-93</b>	Kit, Rear Baffle (Includes 3 Screws)
29	532 41 05-94	Wheel Adjusting Bracket, Front	76	<b>532 41 05-89</b>	Rear Baffle
30	532 40 16-29	Spacer	77	<b>817 41 13-12</b>	Screw, Rear Baffle
32	532 41 05-95	Spring, Selector, Rear	- -	532 18 21-91	Warning Decal (not shown)
33	532 08 78-77	Selector Knob	- -	532 40 97-41	Operator's Manual, European
34	532 41 06-00	Axle Arm Assembly, Rear, LH	- -	532 40 97-42	Operator's Manual, Scandinavian
35	532 16 67-85	Locknut, Hex 5/16-18	- -	532 40 97-43	Operator's Manual, East Bloc
36	532 40 16-38	Shoulder Bolt 5/16-18	- -	532 40 97-44	Operator's Manual, Baltic
37	532 40 34-95	Wheel & Tire Assembly, Front 8 x 1-3/4			
38	532 40 16-38	Shoulder Bolt			
39	532 40 91-49	Nut, Hex, Flangelock			

**NOTE:** All component dimensions given in U.S. inches. 1 inch = 25.4 mm. **IMPORTANT:** Use only Original Equipment Manufacturer (O.E.M.) replacement parts. Failure to do so could be hazardous, damage your lawn mower and void your warranty.